

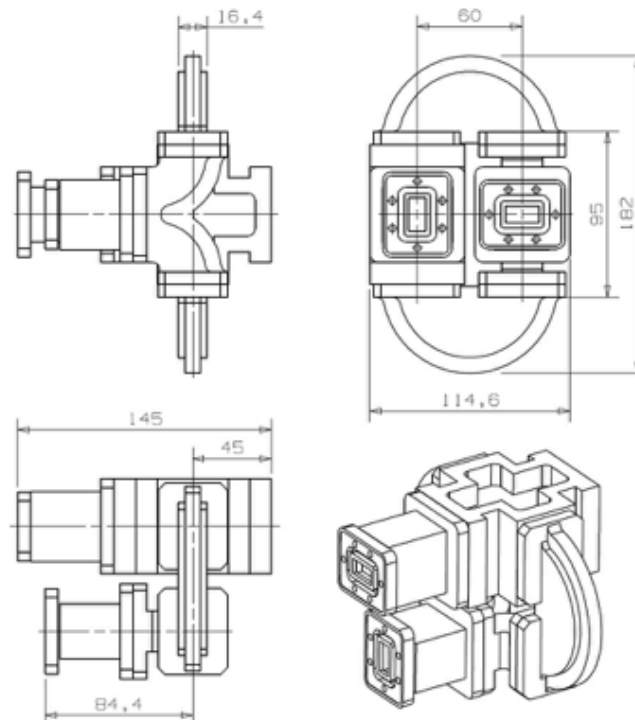
OMT Ku-Band Wide Band Frontend*

Ortho Mode Transducer OMT Ku-Band RX-TX

Type: **OM-02-Ku-RT-X**

10.7 GHz to 14.8 GHz

Frequency Range	10.7 GHz to 14.8 GHz
Return Loss	min. 29 dB
Insertion Loss	max. 0.05 dB
Isolation between Ports	min. 46 dB
Forward polarization discrimination	min. 46 dB
Power handling	max. 2'000 W CW each port
Waveguide size	R120 / WR 75
Flanges Port 1 and Port 2	PDR 120
Common Port	Square waveguide 20 x 20 mm, Transition to circular waveguide TBS
Material	Brass with Silver Coating
Finish	White Paint (standard)
Operating Temperature	-20° C to 40° C
Operation Pressure	max. 10 kPa (100 mbar)
Additional Feature	Two SMA- Ports are available for Monopuls tracking purposes



*Adding a TX/RX Diplexer at each port will get a basic 4-port TX/RX feed system

Figure: Ortho Mode Transducer 10.7 GHz to 14.8 GHz