



Data Sheet

S-BAND MAGNETRON TRANSITION ADAPTER

HPM-01-S-MTA-1XX

S-Band Magnetron Transition Adapter

Technical Data

Type No.		HPM-01-S-MTA-1XX
Frequency	GHz	S Band : 2.850 GHz – 3.005 GHz
Insertion Loss	dB	< 0.05 dB
Isolation	dB	-
Return Loss	dB	>26dB
Power Handling	W	Up to 5 MW
Waveguide size		R32 / WR284
Flanges		Customer TBS
Leakage rate		<1x10 ⁻⁶ mbar · l/s (0.60 kg/cm ² (8.5 lb/in ²) in 7 days)
Material		Aluminium cast
Finish		Aluminium (Standard)
Operating Pressure		3 bar absolut
Operating Temperature		-20°C to 60°C

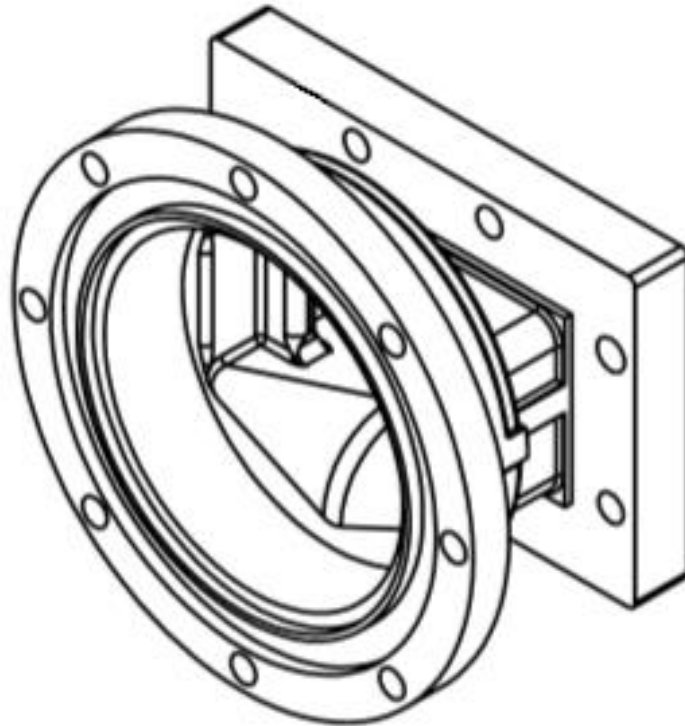


Figure 1-1 : S-Band Magnetron Transition Adapter

Note:

This Transition is fully functional and retrofits all the magnetron systems with following tubes.

Magnetrons	Manufacturer
MG5193	Teledyne e2v
MG6090	Teledyne e2v
MG7095	Teledyne e2v
GLM5193	GLVAC

Please Note:

As a result of more stringent legal regulations and judgements regarding product liability, we are obliged to point out certain risks that may arise when products are used under extraordinary operating conditions.

Extraordinary operating conditions, such as heavy icing or exceptional dynamic stress (e.g. strain caused by oscillating support structures), may result in the breakage of a mast mounted device or even cause it to fall to the ground

These facts must be considered during the site planning process.

The installation team must be properly qualified and be familiar with the relevant national safety regulations.

The details given in our data sheets must be followed carefully when installing the devices and accessories.

Terminate unused inputs with a suitable 50-Ohm load.

Any previous datasheet issues have now become invalid.