



Data Sheet

**KU - BAND - 4 - PORT EXTENDED FEEDER
NETWORK**

FSY-02-KU-RT-SV-030

4 Port Feed - FSY-02-KU-RT-SV-030

KU Band : Rx – 10.70 GHz – 12.75 GHz
 KU Band : Tx – 13.00 GHz – 14.50 GHz



Technical Data

Type No.		FSY-02-KU-RT-SV-030	
Passband			
Band 1	GHz	KU Band : Rx – 10.70 GHz – 12.75 GHz	
Band 2	GHz	KU Band : Tx – 13.00 GHz – 14.50 GHz	
Insertion Loss	dB	Port RX1 ↔ Common Port } Port RX2 ↔ Common Port }	Max. 0.5 dB
		Port TX1 ↔ Common Port } Port TX2 ↔ Common Port }	Max. 0.35 dB
Isolation	dB	Port RX1 ↔ TX1 } Port RX2 ↔ TX2 }	Min. 85 dB
		Port RX1 ↔ TX2 } Port RX2 ↔ TX1 }	Min. 85 dB
Return Loss	dB	Port RX1 } Port RX2 } Port TX1 } Port TX2 }	Min. 19 dB
Power Handling	W	Max. 1000 CW per TX Port	
Waveguide size		Port RX1 } Port RX2 } Port TX1 } Port TX2 }	R120 / WR75
Flanges		Port RX1 } Port RX2 } Port TX1 } Port TX2 }	M4 threads / UBR 120
Common Port		Customer TBS	
Material		Aluminium	
Finish		White Paint (Standard)	

FSY-02-KU-RT-SV-030 / V01
 Subject to alteration.

4 Port Feed - FSY-02-KU-RT-SV-030

KU Band : Rx - 10.70 GHz - 12.75 GHz

KU Band : Tx - 13.00 GHz - 14.50 GHz

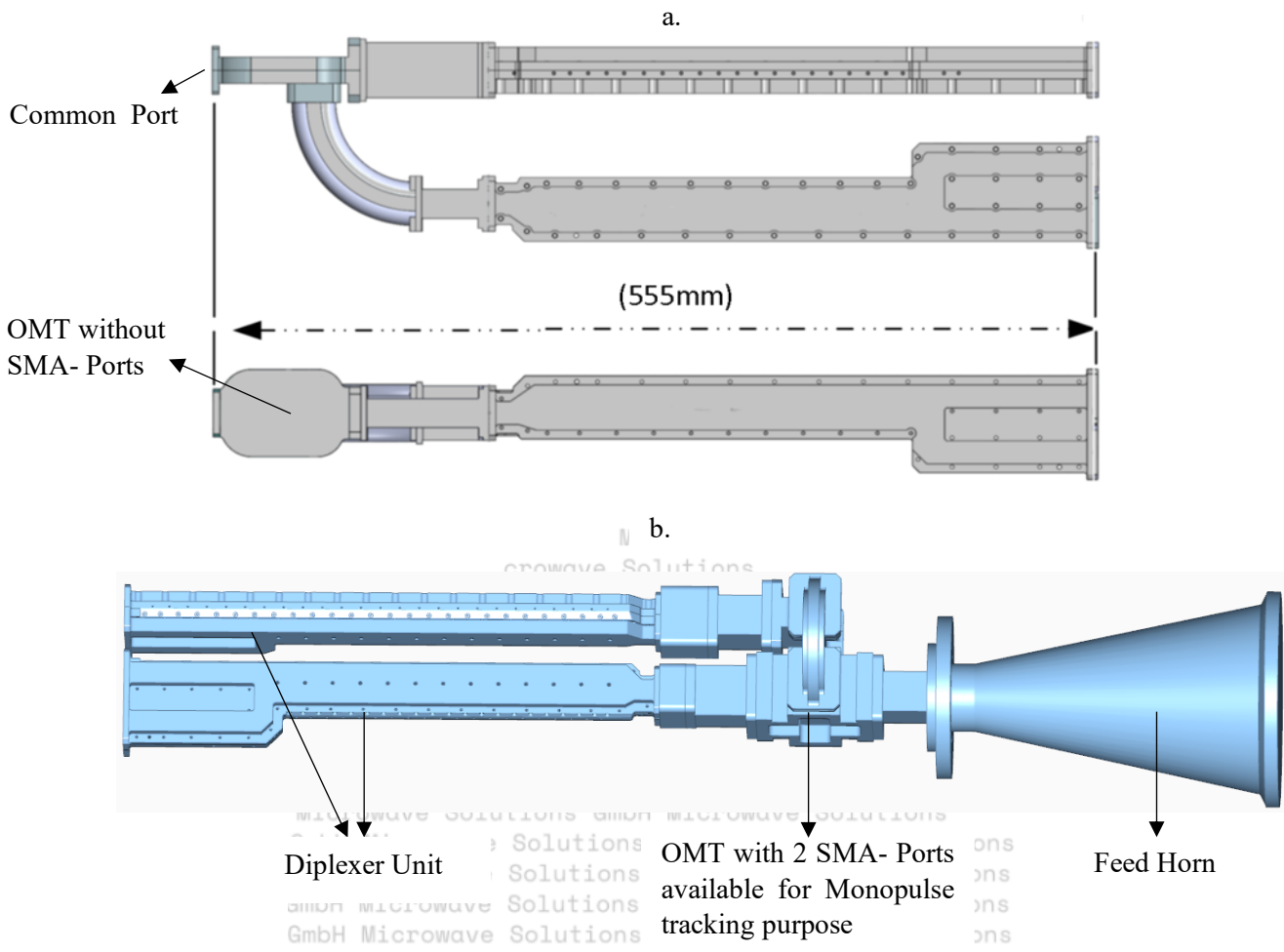


Figure 1-1 : (a.) KU (RX & TX) feed system along with OMT
 (b.) KU (RX & TX) feed system along with OMT and Feed Horn

FSY-02-KU-RT-SV-030 / V01
Subject to alteration.

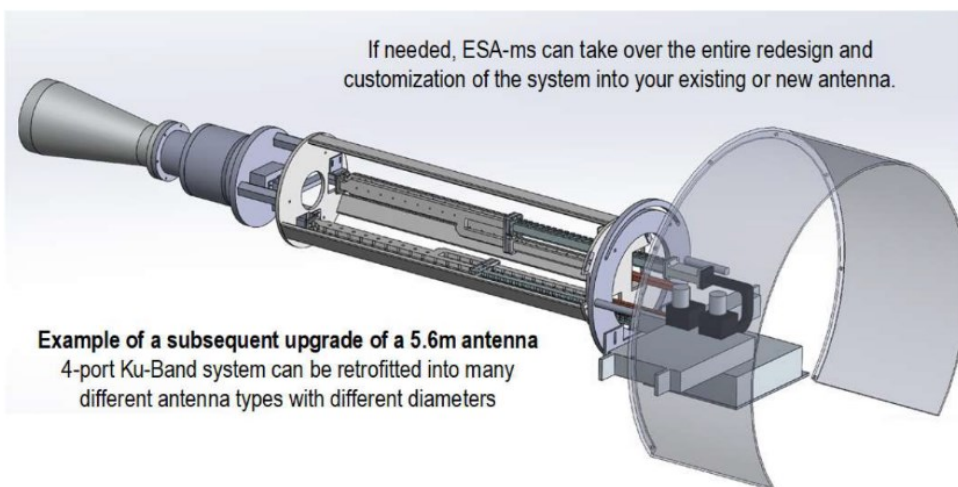


Figure 1-2 : KU (RX & TX) feed system retrofitted to a 5.6 m Antenna

4 Port Feed - FSY-02-KU-RT-SV-030

KU Band : Rx – 10.70 GHz – 12.75 GHz
 KU Band : Tx – 13.00 GHz – 14.50 GHz

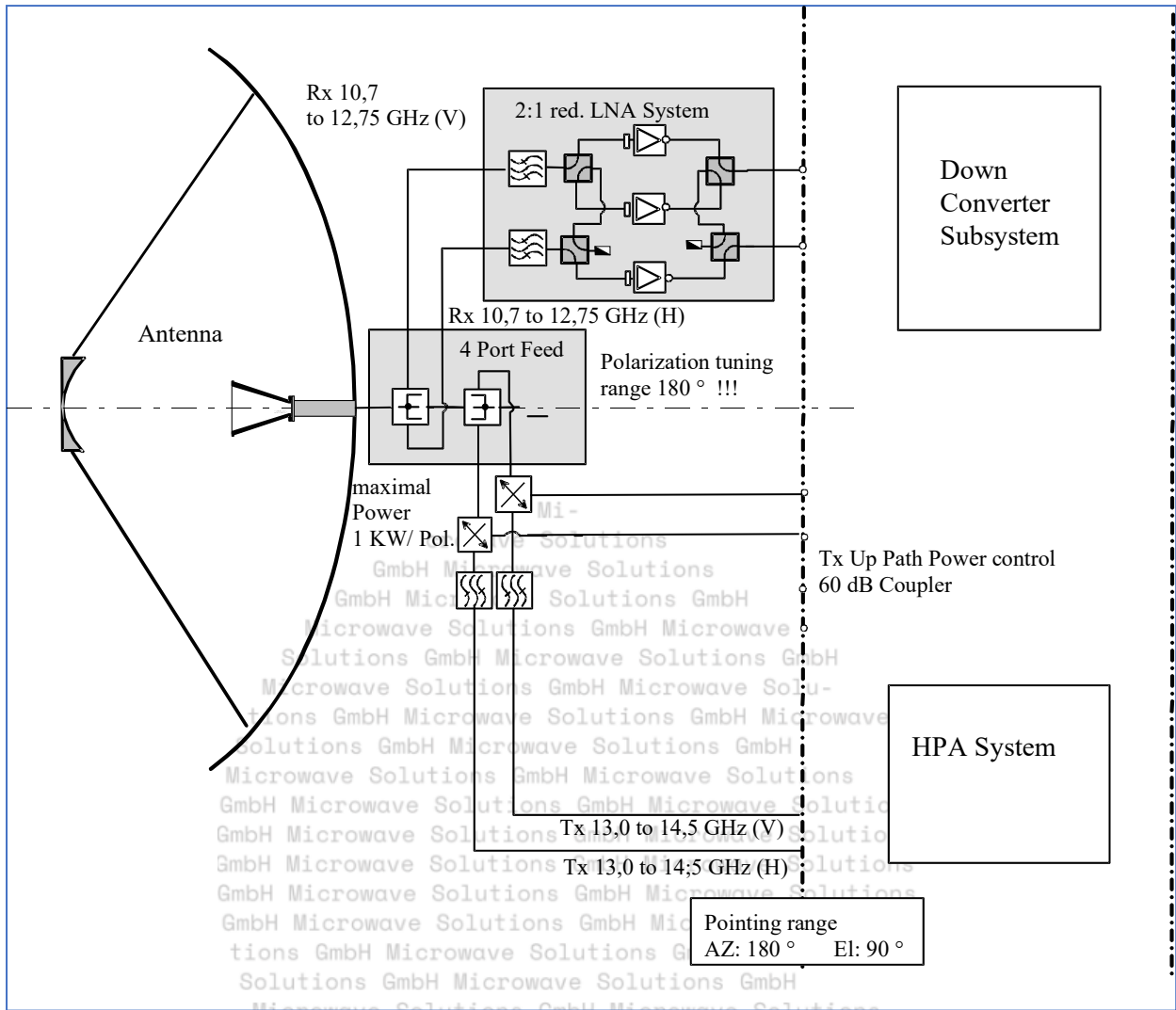


Figure 1-3 : Block diagram of the Complete System

FSY-02-KU-RT-SV-030 / V01
 Subject to alteration.

Please Note:

As a result of more stringent legal regulations and judgements regarding product liability, we are obliged to point out certain risks that may arise when products are used under extraordinary operating conditions.

Extraordinary operating conditions, such as heavy icing or exceptional dynamic stress (e.g. strain caused by oscillating support structures), may result in the breakage of a mast mounted device or even cause it to fall to the ground

These facts must be considered during the site planning process.

The installation team must be properly qualified and be familiar with the relevant national safety regulations.

The details given in our data sheets must be followed carefully when installing the devices and accessories.

Terminate unused inputs with a suitable 50-Ohm load.

Any previous datasheet issues have now become invalid.