



Data Sheet

**K_U - BAND - 4 - PORT EXTENDED FEEDER
NETWORK**

FSY-01-K_U-RT-030

Technical Data

Type No.		FSY-01-KU-RT-030	
Passband			
Band 1	GHz	KU Band : Rx – 10.70 GHz – 12.75 GHz	
Band 2	GHz	KU Band : Tx – 13.00 GHz – 14.50 GHz	
Insertion Loss	dB	Port RX1 ↔ Common Port Port RX2 ↔ Common Port Port TX1 ↔ Common Port Port TX2 ↔ Common Port	Max. 1.1 dB
Isolation	dB	Port RX1 ↔ TX1	Min. 85 dB
		Port RX2 ↔ TX2	
	dB	Port RX1 ↔ TX2	Min. 120 dB
		Port RX2 ↔ TX1	
Return Loss	dB	Port RX1 Port RX2 Port TX1 Port TX2	Min. 19 dB
Power Handling	W	Max. 1000 CW per TX Port	
Waveguide size		Port RX1 Port RX2 Port TX1 Port TX2	R120 / WR75
Flanges		Port RX1 Port RX2 Port TX1 Port TX2	M4 threads / UBR 120
Common Port		Customer TBS	
Material		Aluminium	
Finish		White Paint (Standard)	
Operating Pressure	kPa	Max. 3 kPa (30 mbar)	

Y-01-KU-RT-030 / V01
 Subject to alteration.

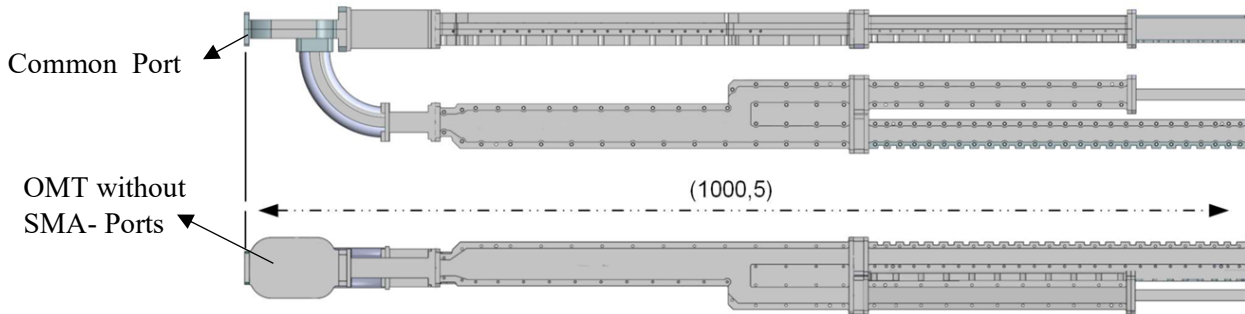
Operating Temperature	°C	-20°C to 40°C
-----------------------	----	---------------

Note :

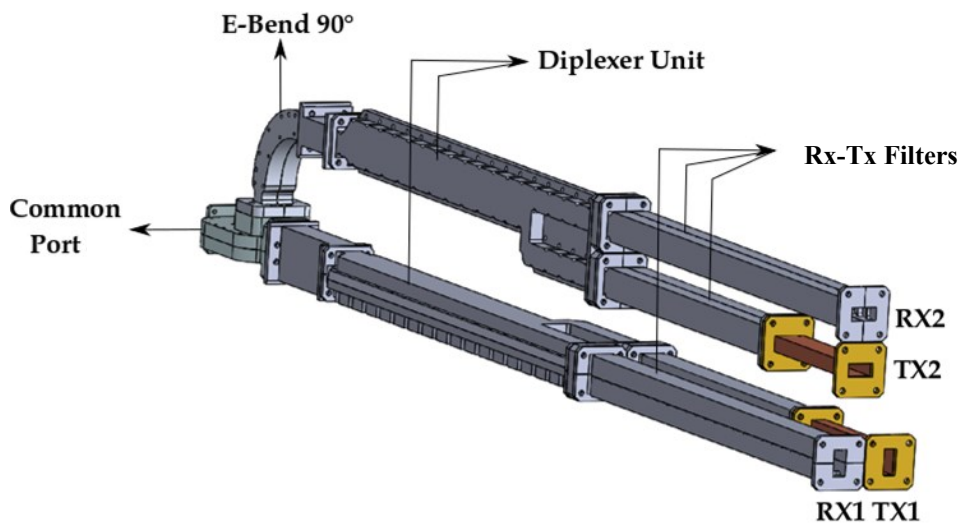
- This combiner in general can be equipped with motorized linear polarization in KU - Band.
- **Available as a single unit with or without an option of a monopulse tracking OMT/ normal OMT and Feed Horn.**
- Feed Horn is suitable to illuminate all types of Antennas. If needed ESA-ms can deliver a customized Feed Tube and Feed Horn optimized to the Antenna.
- Combiner offers easy upgrade or modification for the existing antennas.

SY-01-KU-RT-030 / V01
 Subject to alteration.

GmbH Microwave Solutions
 GmbH Microwave Solutions GmbH
 Solutions GmbH Microwave Solutions GmbH
 Microwave Solutions GmbH Microwave Solu-
 tions GmbH Microwave Solutions GmbH Microwave
 Solutions GmbH Microwave Solutions GmbH
 Microwave Solutions GmbH Microwave Solutions
 GmbH Microwave Solutions GmbH Microwave Solutions
 GmbH Microwave Solutions GmbH Microwave Solutions
 GmbH Microwave Solutions GmbH Microwave Solutions
 GmbH Microwave Solutions GmbH Microwave Solu-
 tions GmbH Microwave Solutions GmbH Microwave
 Solutions GmbH Microwave Solutions GmbH
 Microwave Solutions GmbH Microwave Solutions
 GmbH Microwave Solutions GmbH Microwave
 Solutions GmbH Microwave Solutions GmbH
 Microwave Solutions GmbH Microwave
 Solutions GmbH Microwave
 Solutions GmbH Microwave
 Solutions GmbH



(All dimensions are in mm)



Solutions GmbH Microwave Solutions GmbH
 Microwave Solutions GmbH Microwave Solutions
 GmbH Microwave Solutions GmbH Microwave Solutions GmbH
 Figure 1-1 : KU (RX & TX) feed system with OMT
 Solutions GmbH Microwave Solutions GmbH

Y-01-KU-RT-030 / V01
 Subject to alteration.

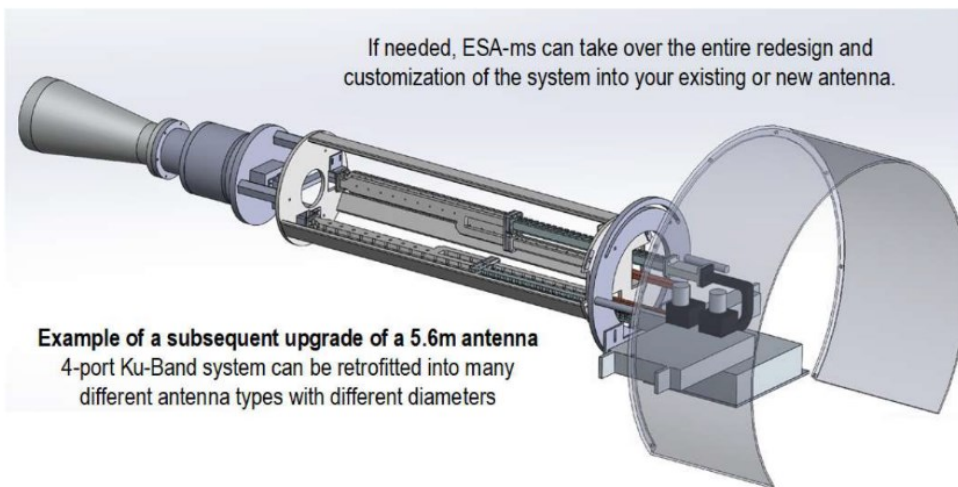
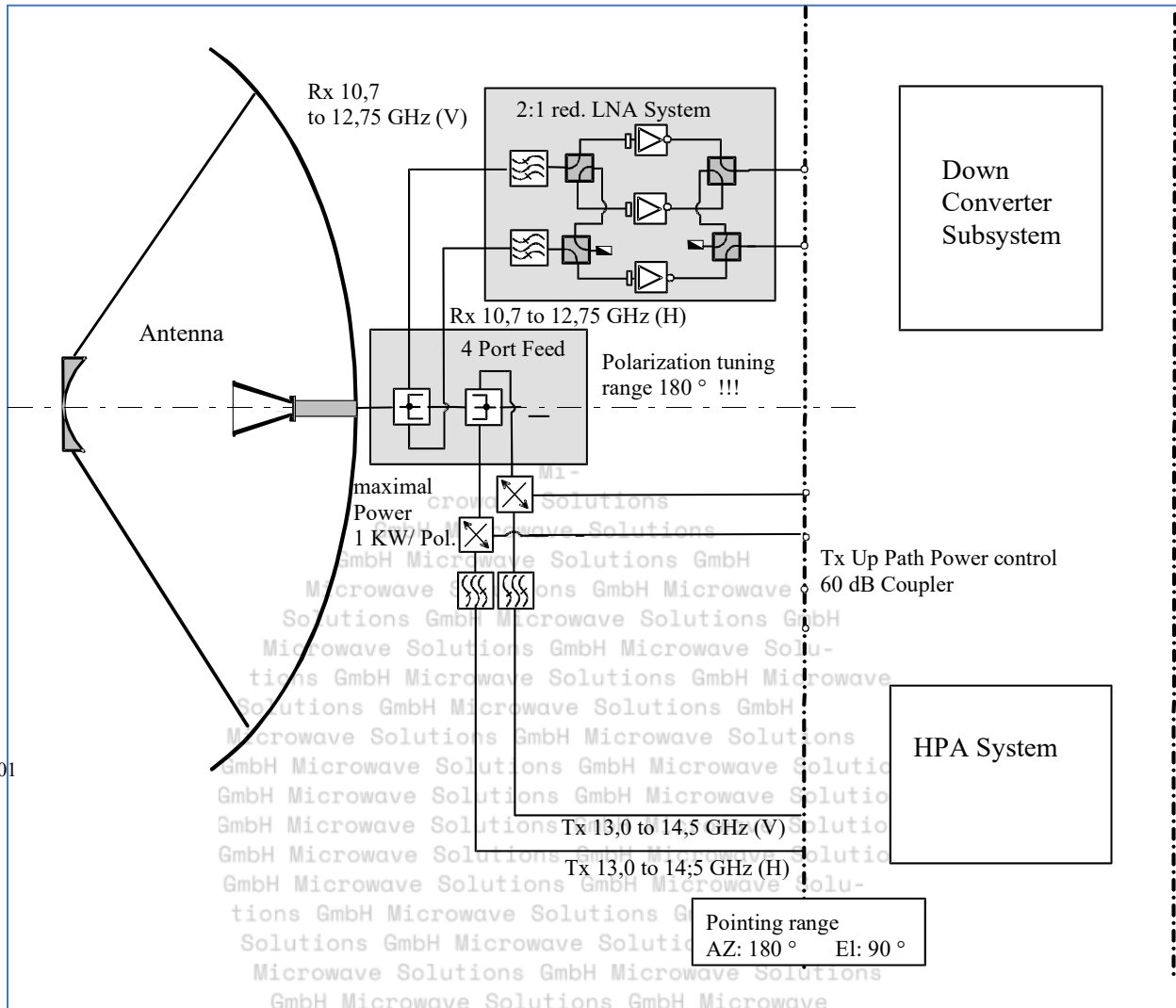


Figure 1-2 : KU (RX & TX) feed system retrofitted to a 5.6 m Antenna



Y-01-Ku-RT-030 / V01
 Subject to alteration.

Figure 1-3 : Block diagram of the Complete System

Please Note:

As a result of more stringent legal regulations and judgements regarding product liability, we are obliged to point out certain risks that may arise when products are used under extraordinary operating conditions.

Extraordinary operating conditions, such as heavy icing or exceptional dynamic stress (e.g. strain caused by oscillating support structures), may result in the breakage of a mast mounted device or even cause it to fall to the ground

These facts must be considered during the site planning process.

The installation team must be properly qualified and be familiar with the relevant national safety regulations.

The details given in our data sheets must be followed carefully when installing the devices and accessories.

Terminate unused inputs with a suitable 50-Ohm load.

Any previous datasheet issues have now become invalid.